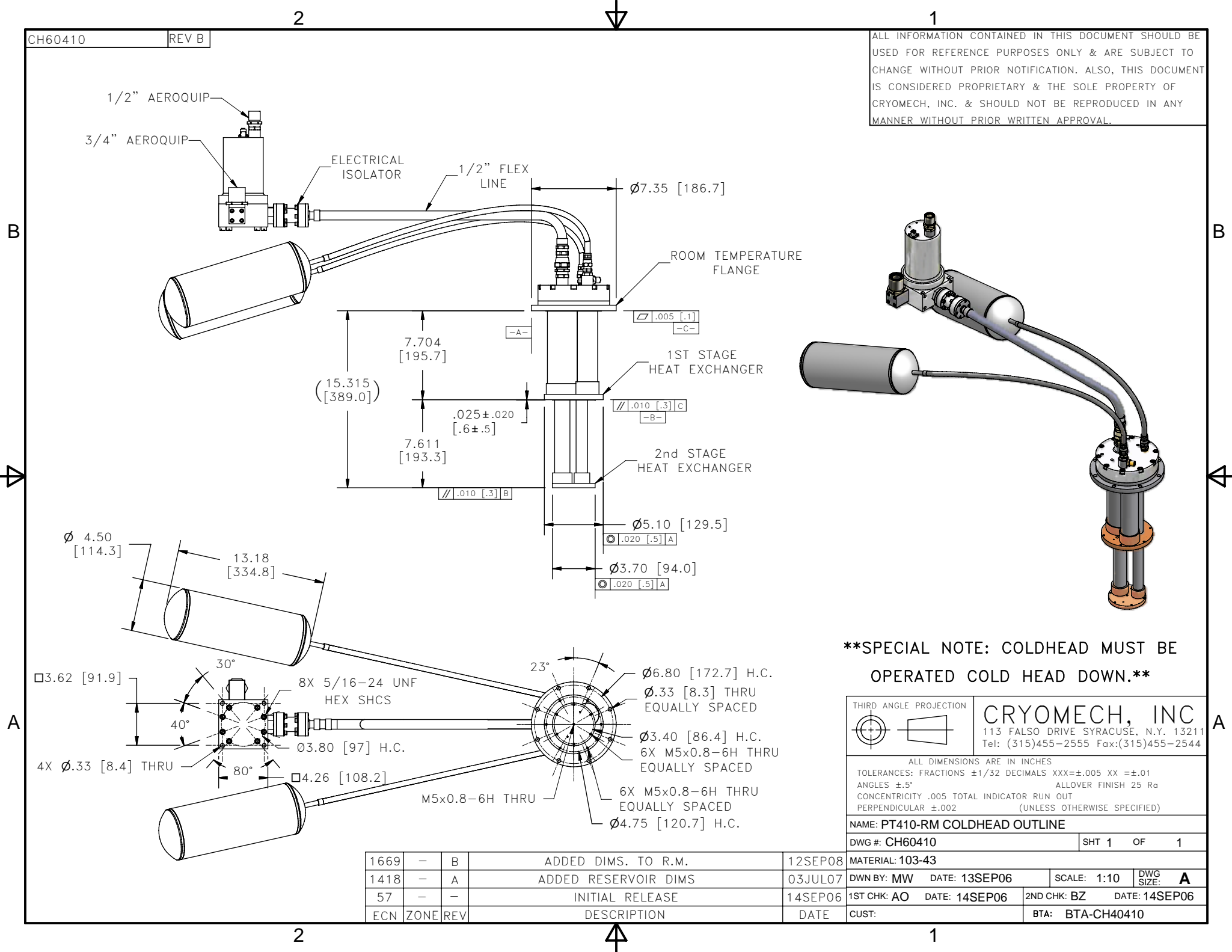


ALL INFORMATION CONTAINED IN THIS DOCUMENT SHOULD BE USED FOR REFERENCE PURPOSES ONLY & ARE SUBJECT TO CHANGE WITHOUT PRIOR NOTIFICATION. ALSO, THIS DOCUMENT IS CONSIDERED PROPRIETARY & THE SOLE PROPERTY OF CRYOMECH, INC. & SHOULD NOT BE REPRODUCED IN ANY MANNER WITHOUT PRIOR WRITTEN APPROVAL.



**\*\*SPECIAL NOTE: COLDHEAD MUST BE OPERATED COLD HEAD DOWN.\*\***

THIRD ANGLE PROJECTION		<b>CRYOMECH, INC</b>	
		113 FALSO DRIVE SYRACUSE, N.Y. 13211 Tel: (315)455-2555 Fax:(315)455-2544	
ALL DIMENSIONS ARE IN INCHES TOLERANCES: FRACTIONS ±1/32 DECIMALS XXX=±.005 XX =±.01 ANGLES ±.5° ALLOVER FINISH 25 Ra CONCENTRICITY .005 TOTAL INDICATOR RUN OUT PERPENDICULAR ±.002 (UNLESS OTHERWISE SPECIFIED)			
NAME: PT410-RM COLDHEAD OUTLINE			
DWG #: CH60410		SHT 1 OF 1	
MATERIAL: 103-43			
DWN BY: MW		DATE: 13SEP06	SCALE: 1:10
1ST CHK: AO		DATE: 14SEP06	2ND CHK: BZ
CUST:		DATE: 14SEP06	
		BTA: BTA-CH40410	

ECN	ZONE	REV	DESCRIPTION	DATE
1669	-	B	ADDED DIMS. TO R.M.	12SEP08
1418	-	A	ADDED RESERVOIR DIMS	03JUL07
57	-	-	INITIAL RELEASE	14SEP06